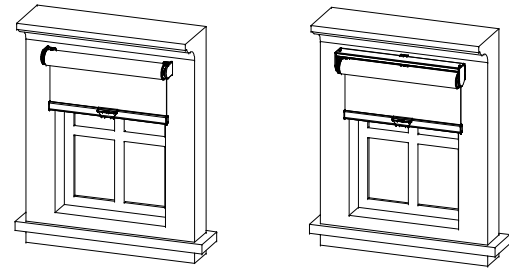
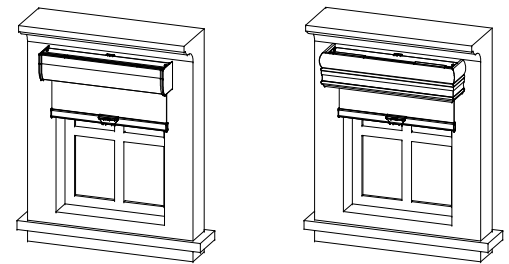


# Roller Shade Installation Instruction



Regular

With Raceway



With Fascia

With Valance

### Recommended Tools

- Screw gun / Drill
- Tape Measure
- Screwdriver
- Level
- Pencil



### Hardware Included

#### 1. Screws needed for installing

Hardware	Drawing	Usage
1 1/4" Hexagon screw		To install bracket
2" Flat head screw		To install safety tension device
3/4" Round head screw		To install hold down bracket

#### 2. Hardware for Regular Roller shade

Hardware	Drawing	Usage
Shade bracket		To install shade (on Clutch end/ Tension Dial end /Motor end)
Shade bracket		To install shade (on End Plug end)
Bracket cover		Default for outside mount & inside-top Mount
		default for inside-side Mount
6mm Extension		used for Coupled Shade

Link bracket		Used for Coupled Shade
Link rod		
Link bearing		
Link adapter		

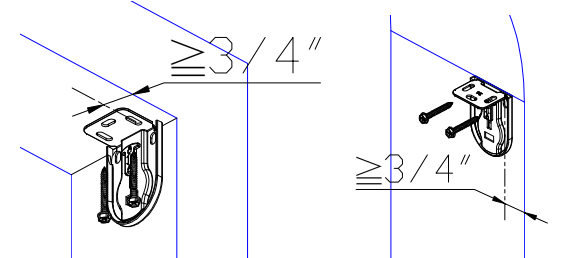
### 3. Hardware for Roller shade with Raceway System

Hardware	Drawing	Usage
Mounting bracket		To install Raceway (for outside mount middle of raceway )
		To install Raceway (for outside mount)
Valance bracket		To install Fascia / Valance (mounted on raceway)
Valance clip		To install Fascia / Valance (placed on Fascia/Valance)
Square Fascia end cap		For Square Fascia
Curved Fascia end cap		For Curved Fascia
Valance return connector		To connect fabric valance returns
Valance return connector		To connect wood valance returns
Handle		For Cordless Shades

### Shade Bracket Installation

#### For Inside-Top Mount & Side Mount

When installing the shade bracket, the distance from the bracket's front mounting hole to the front edge of the window frame should be at least 3/4". Make sure both shade brackets line up with each other horizontally. Each shade bracket will require two 1 1/4" hexagon screws for the installation.

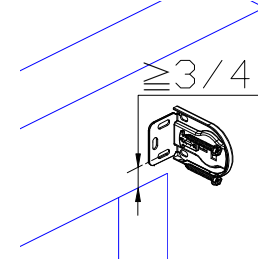


Inside-Top Mount

Inside-Side Mount

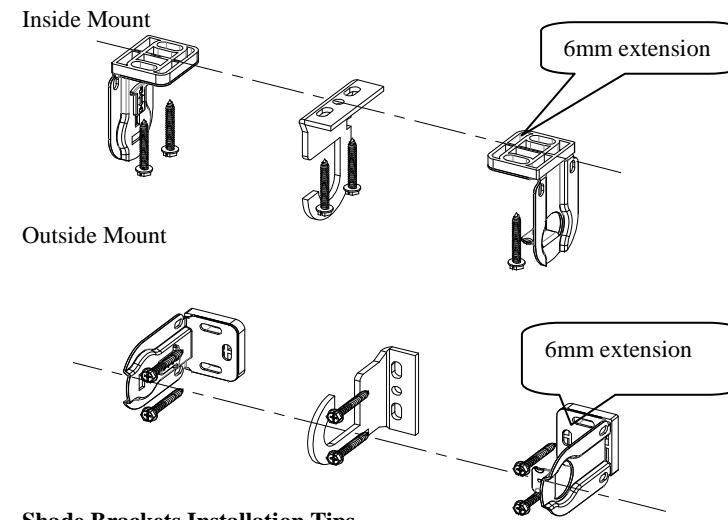
#### For Outside Mount

When installing the shade bracket, the top of each shade bracket needs to be parallel with the edge of the window frame. The distance from the shade bracket's mounting holes to the front edge of the window frame should be at least 3/4". Make sure all the shade brackets are level and aligned with each other. Each shade bracket will require two 1 1/4" hexagon screws for the installation.



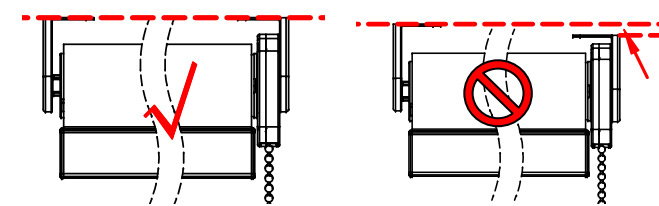
#### For Coupled Shade

When installing the coupled shade link bracket, make sure that the center of both the link bracket and the shade bracket line up and are level with each other. For inside mount, make sure the link bracket's opening faces the front. For outside mount, the link bracket opening needs to face up. Each shade bracket will require two 1 1/4" hexagon screws for the installation. Coupled shades must be installed with a 6mm extension on each of the brackets both the left and the right.

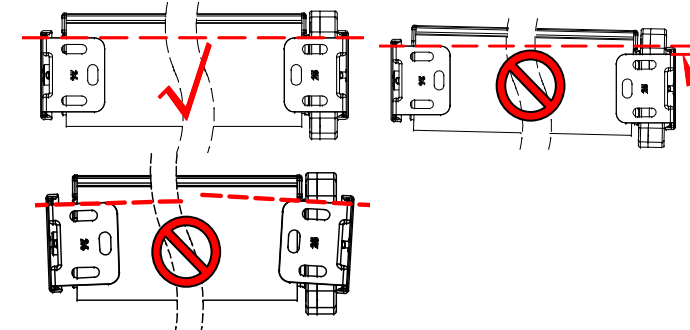


#### Shade Brackets Installation Tips

① The top & bottom of left & right shade brackets should be at the same horizontal line.

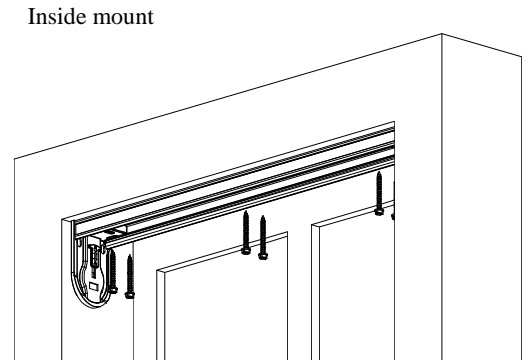


② The front & back of left & right shade brackets should be at the same horizontal line.

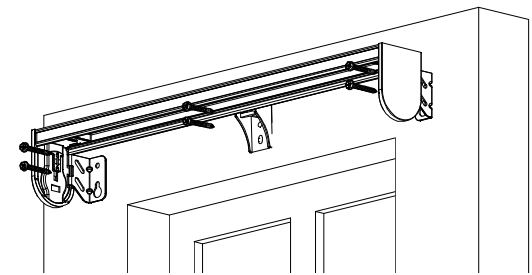


### Mounting Bracket Installation

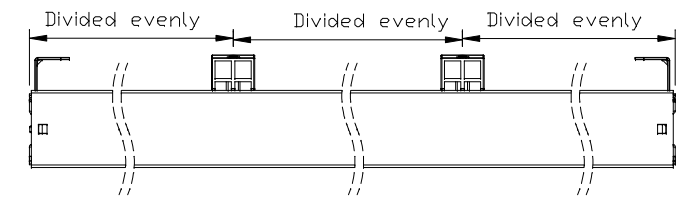
When installing the mounting bracket, the distance from the bracket's screw hole near the edge of the window frame to the edge of the window frame should be at least 3/4".



Outside mount



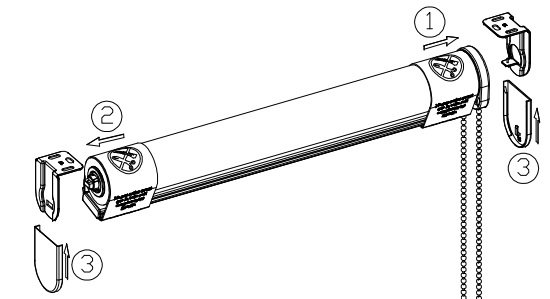
The space between each mounting bracket should be divided evenly as pictured.



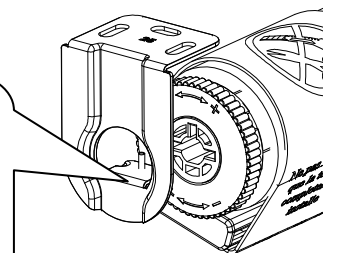
### Shade Installation and Removal

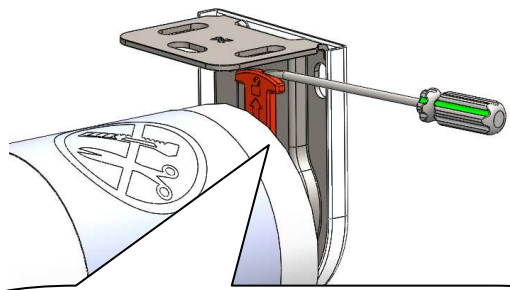
#### ※ Installation of Regular Roller Shade

- ① First, insert the Clutch end/Motor end/Tension Dial end into the tongue of clutch bracket
- ② Second, press the end plug and insert the End Plug end into the hole of bracket of the other side.
- ③ And then attach bracket covers to brackets. Finally remove paper band from shade. As shown below:



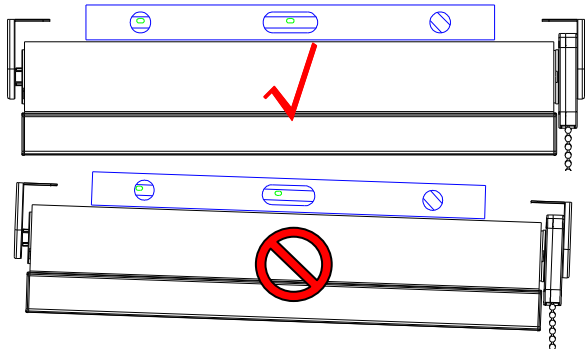
Align Clutch end/Motor end/Tension Dial end of the shade with the tongue of the clutch bracket



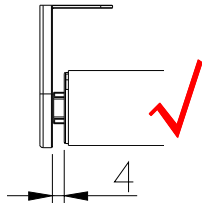


The bracket covers must be attached to the bracket to prevent the shade from falling. Locate the pin, which can be found on the bracket cover, and use it to join the bracket pieces and the shade.

**Shade Installation Tips:** After shade is installed into shade brackets, use a Level to check if the tube of shade is horizontal; if not, please adjust the position of shade brackets to keep the tube level.



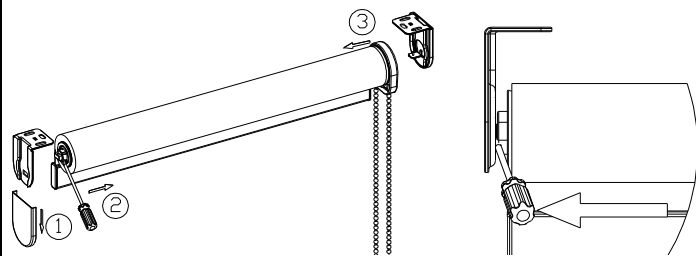
The tube of shade needs to be level.



The gap on End Plug end needs to be about 4 mm.

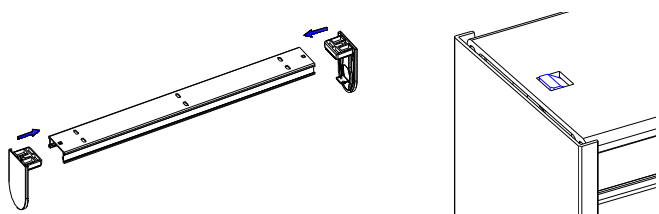
**※Removal of Regular Roller Shade**

- ① First remove bracket cover from bracket on the End Plug end
- ② Then use a straight screwdriver to detach End Plug from bracket
- ③ Finally remove Clutch end from the bracket of the other side.

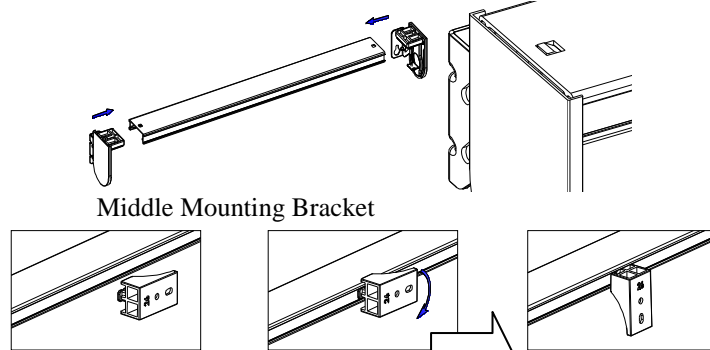


**※Installation of Roller Shade with Raceway System(Inside Mount)**

Attach the shade brackets and extensions into the two ends of the raceway. Make sure the extension bolt locks into the raceway's dedicated hole. Install the shade and raceway system into the window opening, Taking care that the distance between the 1<sup>st</sup> screw and the window edge is at least 3/4".

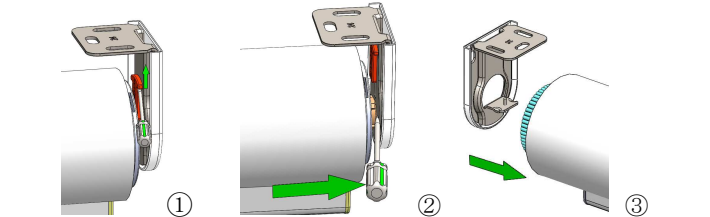


**※Installation of Roller Shade with Raceway System(Outside Mount)**



**※Removal of Roller Shade with Raceway System**

- Use a tool to push the lock pin on end plug bracket upward ①
- Use tool to draw back the end plug from bracket ②
- Finally remove shade from mounting bracket. As shown drawing ③

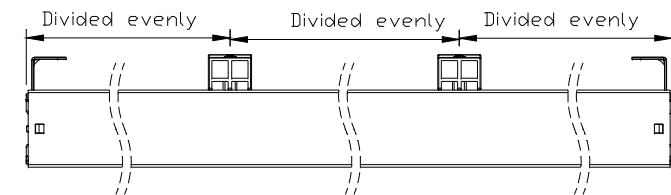


**Fascia & Valance Installation**

**Valance Bracket Installation**

After installing the shade and raceway, the brackets for the valance or fascia come next. When installing the valance brackets, the mounting brackets must be avoided. Align the valance bracket with the raceway first and then push the bracket onto the raceway. The top groove of the valance bracket should hook onto the top of the raceway while the bracket's bottom groove clips into the bottom rib of the raceway, as shown below.

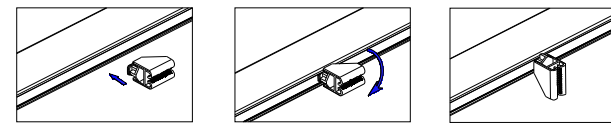
The drawing below shows the valance brackets installed in an ideal position. They are placed far enough apart so that the space is divided evenly, and without interference from the mounting brackets. If the mounting bracket's location conflicts with that of the valance bracket, the valance bracket location should have an offset of 50mm to avoid interference.



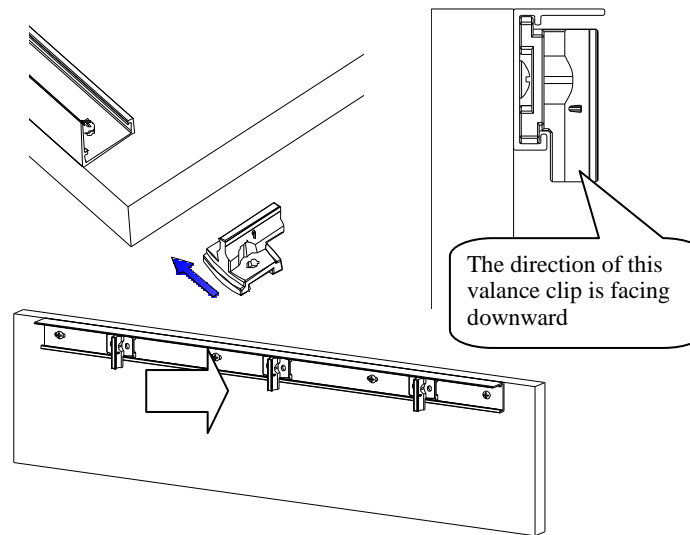
**Valance Clip Installation**

Insert the valance clip into the dedicated groove on the aluminum strip, paying special attention to the direction the valance clip. For a valance, the valance clip should face downwards. For valance, it should face up. The valance clip location should align with the valance bracket as pictured below.

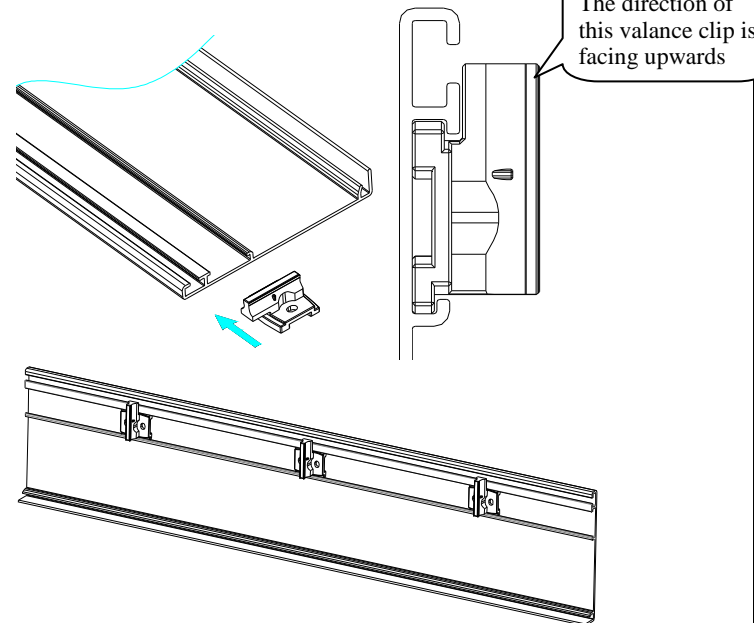
**Valance Bracket on Raceway:**



**For Fabric /Wood Valance:**



**For Fascia:**

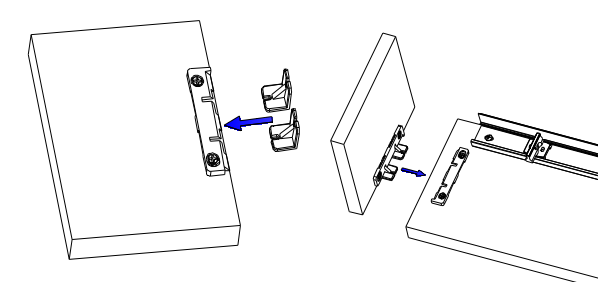


**Attach Valance Return to Valance**

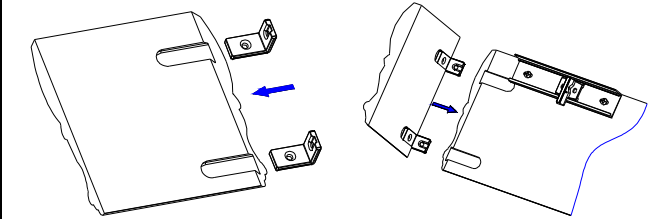
Note: please skip this step if there is no return.

- First insert valance return connector to return.
- then attach return to valance

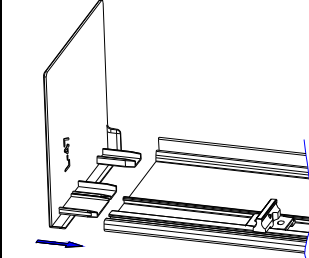
**For Fabric Valance:**



**For Wood Valance:**



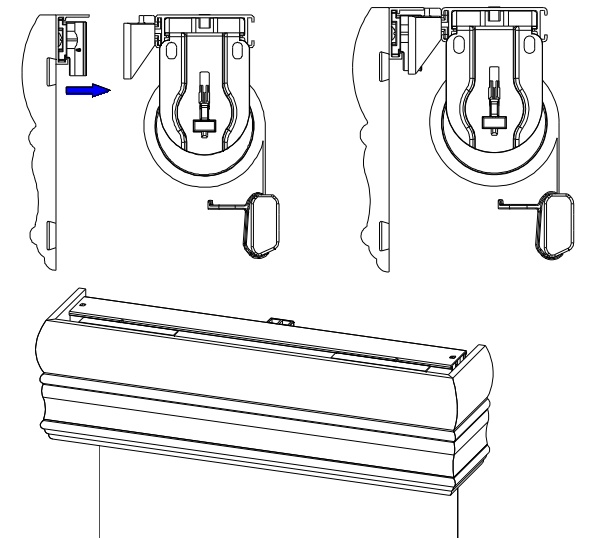
**Attach Fascia End Cap to Fascia**



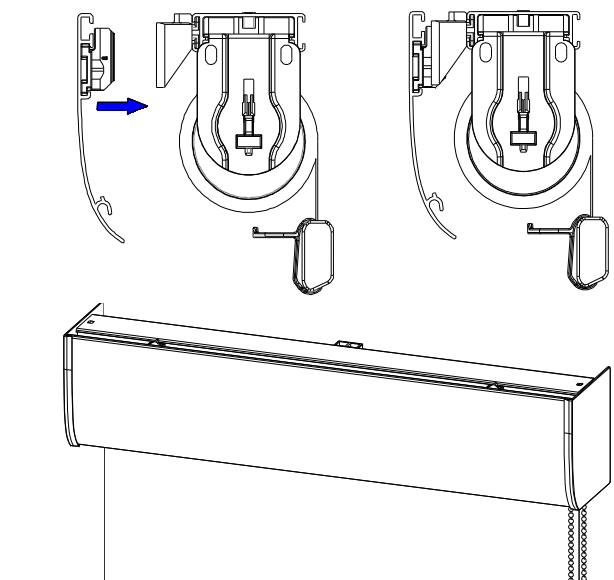
**Attach Valance/Fascia to Raceway**

Slide the valance clips to a position on the valance/fascia so that they are each aligned with a valance bracket on the raceway, and then push the valance clips into the valance bracket.

**For Valance:**



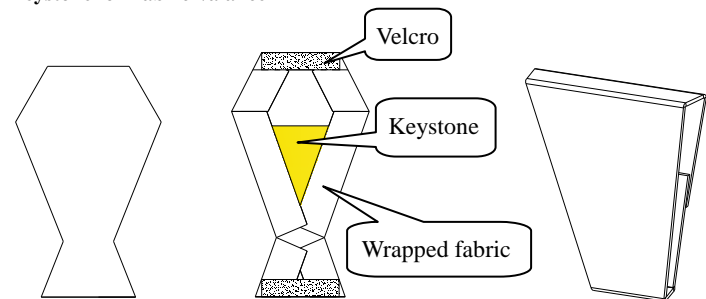
**For Fascia:**



**Valance Keystone Installation**

Keystones are needed on Wood & Fabric Valances that require splicing.

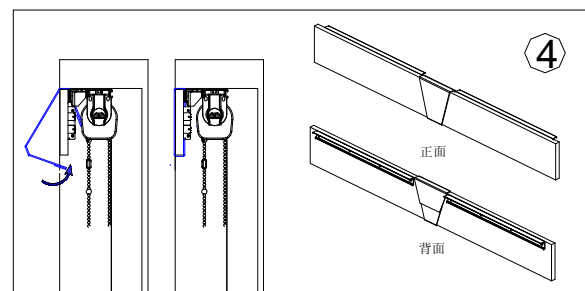
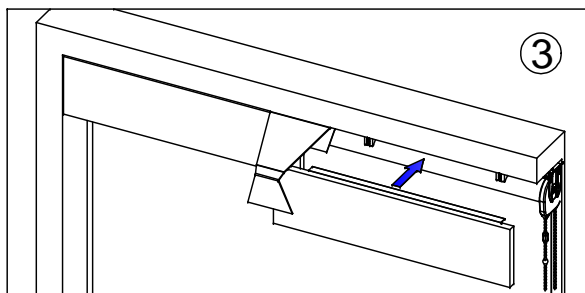
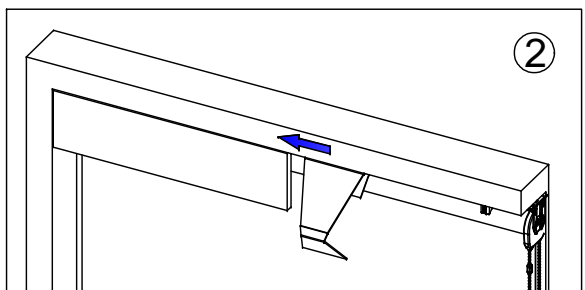
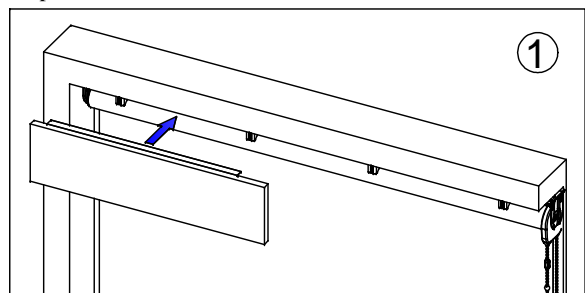
**Keystone for Fabric Valance**



➤ For inside mount

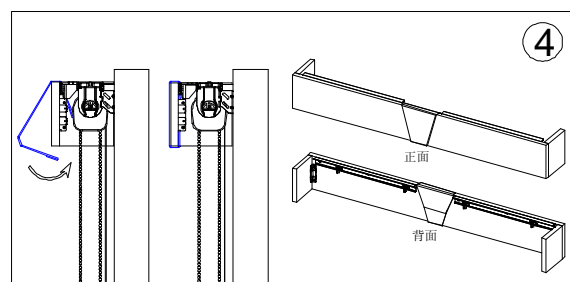
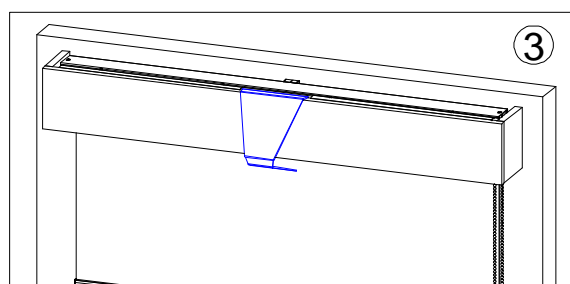
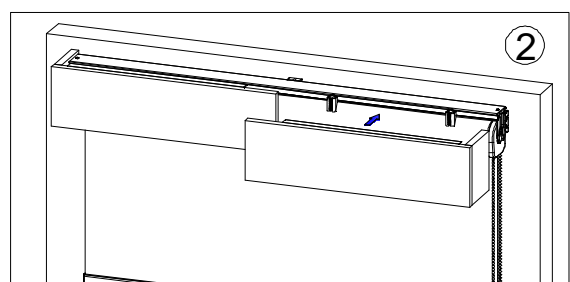
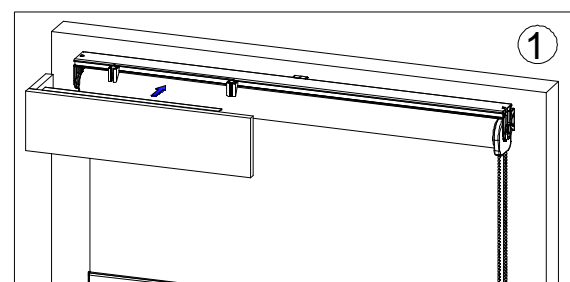
- 1) Firstly attach one piece of Valance to Raceway (as shown drawing①);
- 2) Secondly insert the top of Keystone into the gap between Valance and window frame(as shown drawing②);
- 3) And then attach another piece of Valance to the Raceway(as shown drawing③);
- 4) Finally make the bottom of Keystone go around to the back and stick the Velcro on bottom & top of Keystone together(as shown drawing④)

Note: spliced valance is composed of two pieces of valance (the left & right ones). The end far away from Aluminum Strip is the joint of these two pieces of Valance.

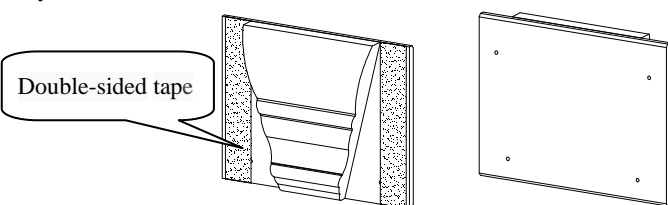


➤ For outside mount

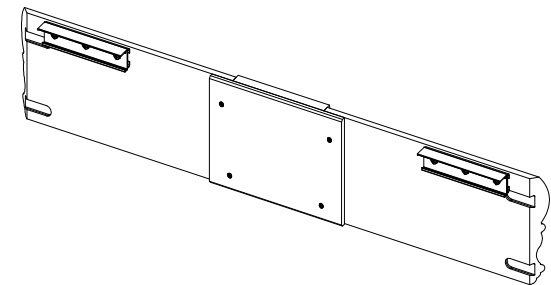
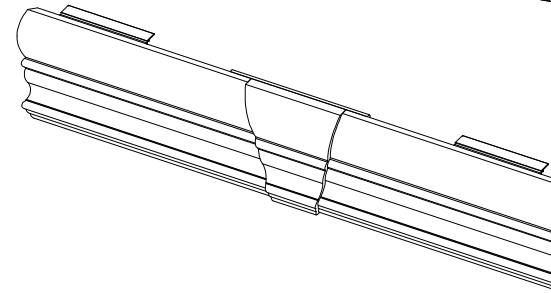
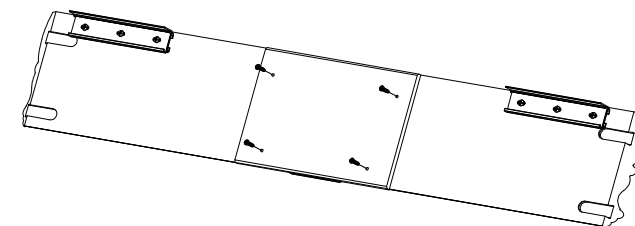
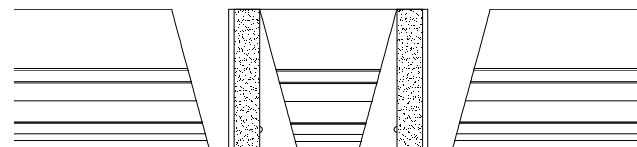
- 1) Attach each piece of valances to the raceway, as shown in drawings①&②)
- 2) Place the keystone onto the joint where the two valance pieces meet Then wrap the top and bottom flaps of the keystone around the top and bottom edges of the valance, as shown in drawing③
- 3) Lastly, secure the keystone onto the valance with the included Velcro by affixing it toward the top and bottom of the keystone



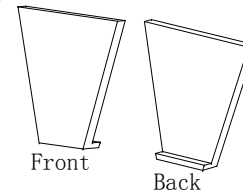
**Keystone for Wood Crown Valance**



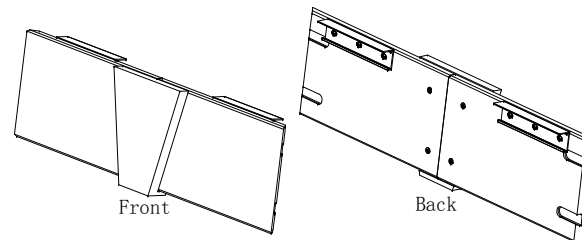
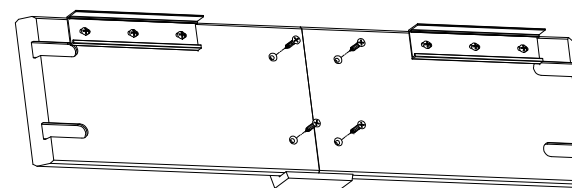
- Tear off double-sided tape on Keystone first, then align the left & right Valance with the Keystone and stick them firmly to the Keystone, finally use 4 screws to secure the Valance on the Keystone. As shown below:



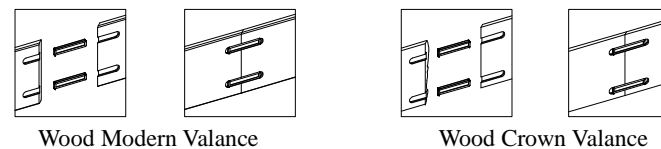
● **Keystone for Wood Modern Valance**



- Place the end of two pieces of Valance on the center of Keystone and use 4 screws to secure Valance on the Keystone. As shown below:

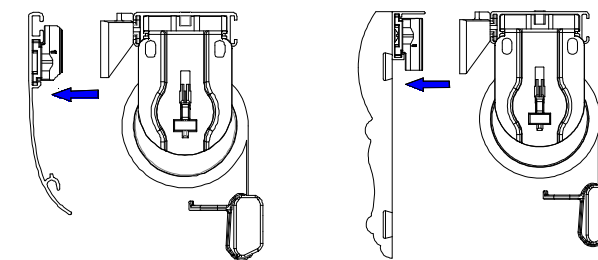


**Wood Valance connector**

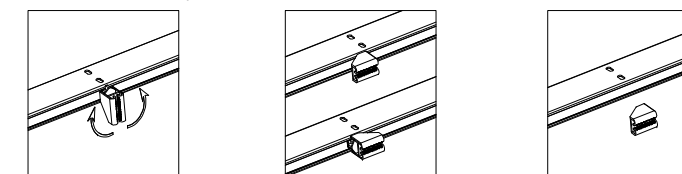


**Valance/Fascia Removal**

- First, remove Valance/Fascia together with valance clip from valance bracket.



- Take down shade from mounting bracket before removing valance Bracket from raceway Turn the valance bracket 90 degree then take off valance bracket from raceway, as shown below

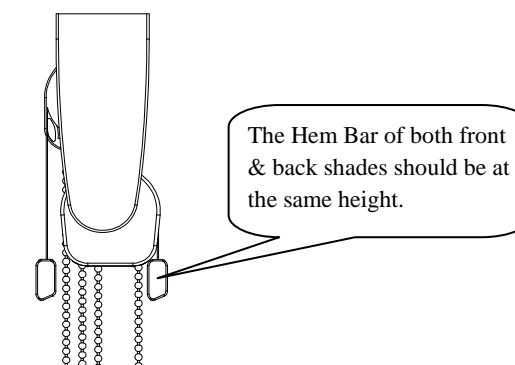
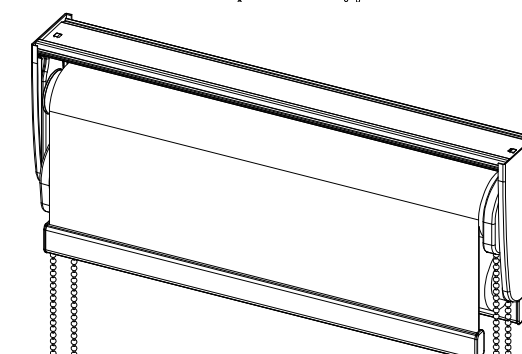
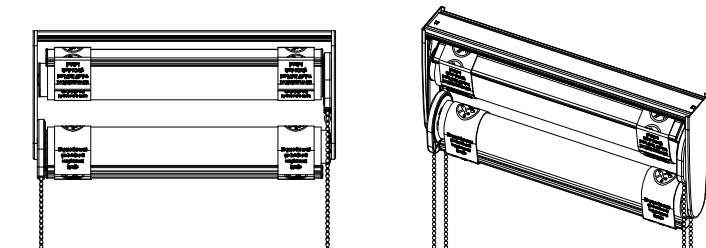


Note: The installation & removal for all fascias & valances are the same.

**Dual Shade Installation**

Installation of the mounting brackets & raceway is the same for dual shades as it is for single shades. Installation of the valance clips is also very similar. Please refer to the previous sections for single shades for more info.

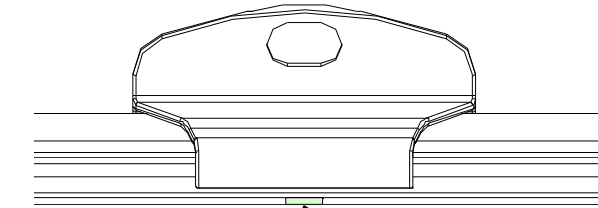
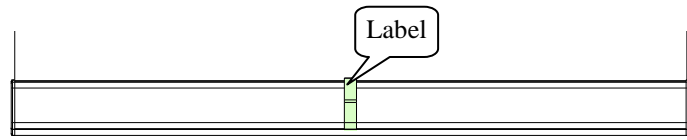
After the dual shades have been installed, including the removal of the shade's protective paper band, retract the front shade's hem bar by half a turn. This will put the hem bars of both shades into alignment.



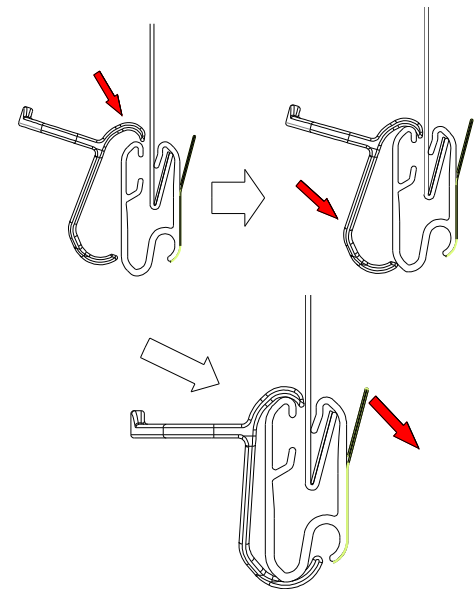
**How to install or remove Handle for Cordless Shade**

● **Attach Handle to Hem Bar**

- Turn over hem bar and you can see a label attached at the center of hem bar. Align the center of the bottom of handle with the label and hook the handle to the hem bar from top to bottom.
- Press the handle from top to bottom to make the top of handle clip into the hem bar.
- Finally tear off the label from hem bar.

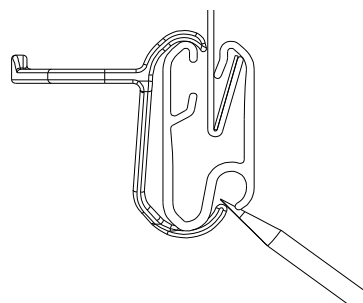


The center of handle should be aligned with the label.



● **Remove handle from hem bar**

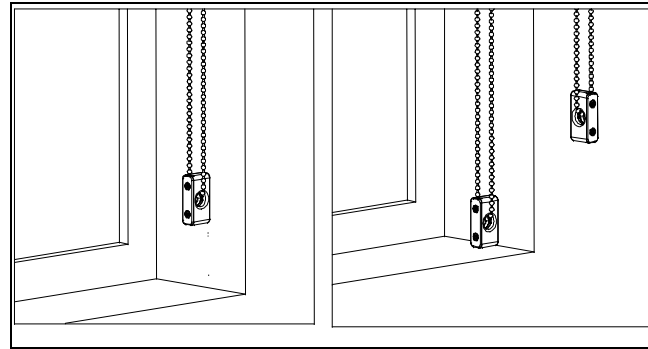
Use straight screwdriver to pry the bottom of Handle from hem bar and then handle can be removed.



**Install Safety Tension Device**

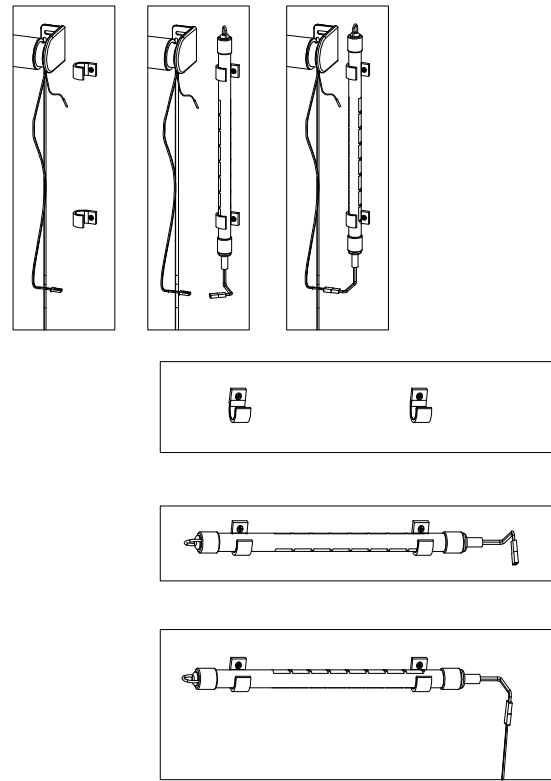
Use two 2" flat screws to install the safety device

The chain should be fully extended upon installation of the device



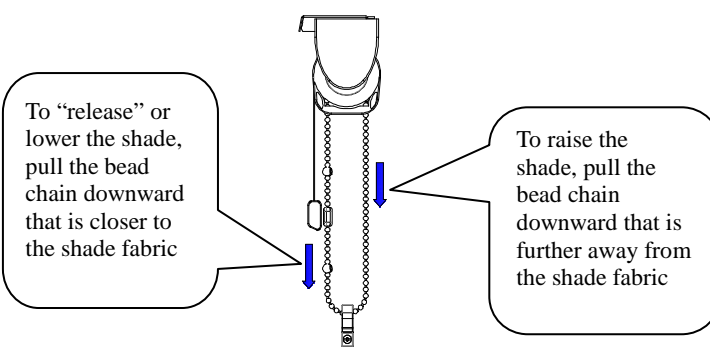
**Battery Wand Installation**

Battery wands for motorization can be installed horizontally or vertically. They easily install with the affixing of two battery wand clips, both of which should be lined up with each other on the wall so that the battery wand can easily snap into place. Each wand requires 8 batteries. If your motorization package has a plug-in option, you should connect the power cords after the battery wands have been installed.



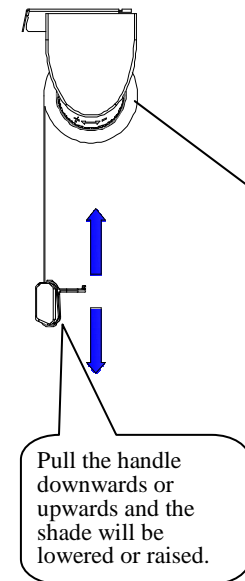
**Roller Shade Operation**

**Continuous Cord Loop & SmartRelease™ Operation**

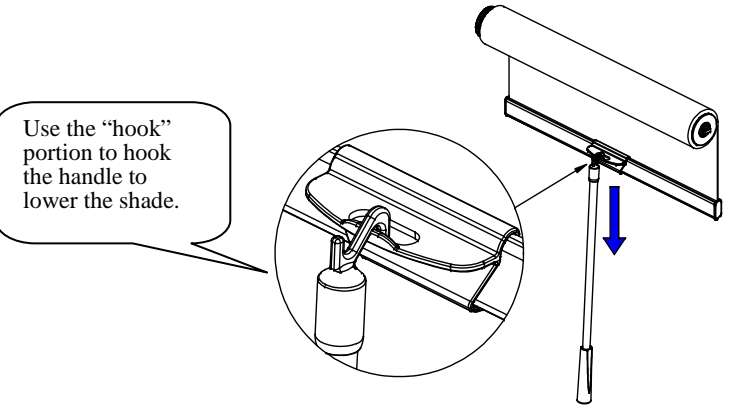
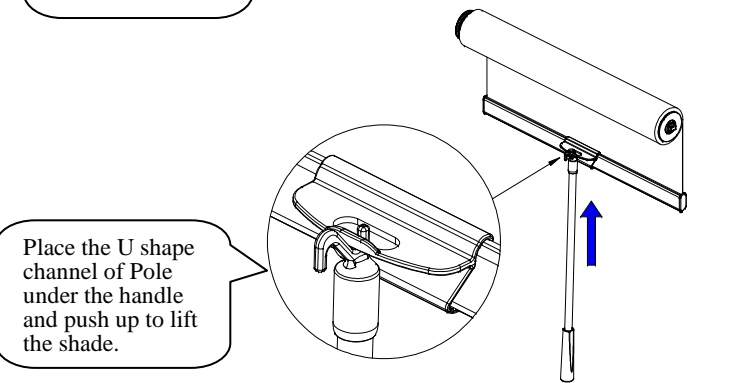
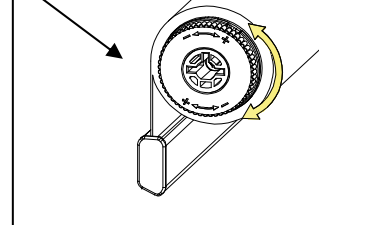


For the operation of SmartRelease™, please gently pull the bead chain which is close to the shade fabric downwards about 40mm (1.5") and the shade will lower automatically. If there is a need to stop the shade during lowering, please pull the bead chain which is away from the shade fabric and then the shade will stop. If the shade cannot lower automatically when gently pull the bead chain which is close to the fabric, please pull the bead chain which is away from the fabric first, and then pull bead chain on the other side.

**Cordless Operation**



The tension in our cordless roller shades can be adjusted to provide optimal light control and to ensure easy and dependable operation on a variety of window types and sizes. If a cordless shade has been tending to slide down on its own or it fails to roll up, the issue can be easily fixed by turning the adjustment dial towards "+" to increase the tension. Conversely, if the cordless shade cannot stop at the desired height and tends to roll up by itself, the tension can be decreased by turning the adjustment dial towards the "-".



**Motorized Operation**

